



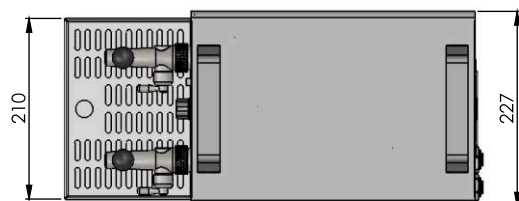
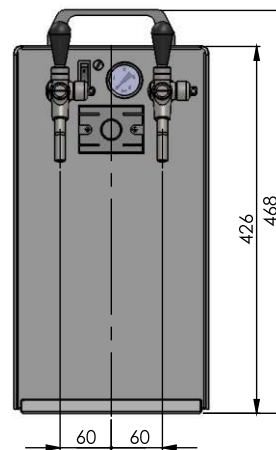
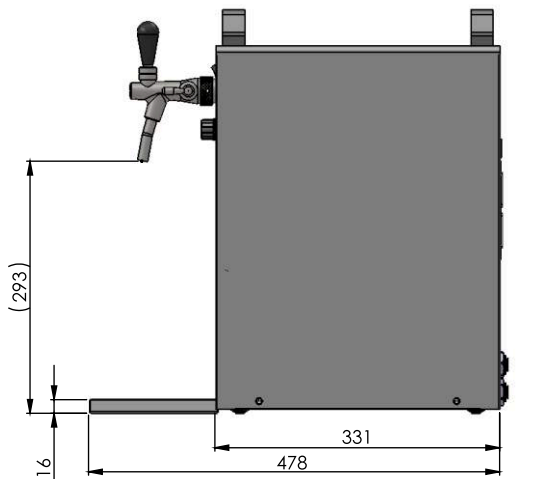
- The **KONTAKT 40/ K profi** has a high performance, small dimensions and regulated air system. **It's opening new possibilities in professional and commercial use.** It also comes with an inbuilt compressor.
- This cooler has a continuous cooling capacity of 35-40l/h., max. 50l/h.
- This cooler is equipped with a completely unique high quality system of a quiet inbuilt compressor comprising a damper and molecule suction air filter.
- The pressure is adjustable by the screw next to the manometer and in the range between 1-3 bars.
- **The modern compressor cooling unit** uses the power input for direct transfer to chilling, which guarantees minimum energy usage.
- Excellent chilled beer will be ready in the thermo block within 5-8 minutes after the cooler has been switched on.

thermo block within 5-8 minutes after the cooler has been switched on.

- **LINDR cooling technology is 45% more efficient** than its power input.
- All external construction is made from stainless steel to give a more clean and aesthetic look.
- The materials used meet the highest requirements for hygiene standards and **guarantee a long working** life of this cooler.
- This machine comes with a stainless steel drip tray and an adjustable temperature control with **7 different settings**.
- Two grab handles on top of the machine **enables the machine to be carried and moved with ease**.
- KONTAKT coolers have been recognised by experts findings as the beer coolers with the best ratio of **price/ performance/ quality/ dimension**.



**INBUILT AIR COMPRESSOR**  
2.6 bar



50 l/h

HP 1/5

YES

Kg 30.0 Kg

2

Refrigerant  
R134a

2x 14.0 m